

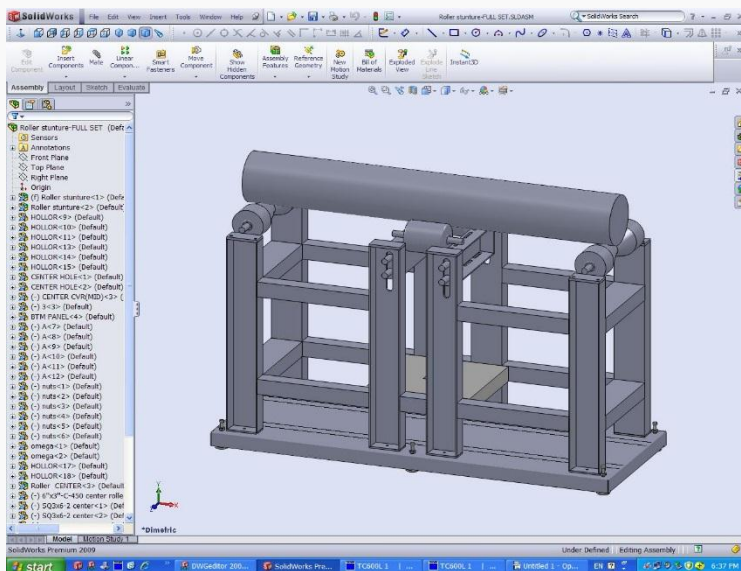


The pioneer in sheet metal fabrications in Johor Bahru region.

About

Yun Liu Metal Industries Sdn. Bhd.

Yun Liu Metal Industries Sdn. Bhd., was founded in 1980 and incorporated in 2001, is one of the pioneers in metal sheet fabrication in Johor Bharu region. It was concentrating in air ducting, cyclones, electrical trucking and intermediate sheet processing. As company evolved, it started investing in high tech CNC machine to cater for the increasing demand from clients. In order to provide value add and one stop solution service to local and oversea customers, they started looking for 3D CAD design solution in 2009.



“Customers are happier with our value add service after using SolidWorks by our design team.”

Benefits

- Shorten the design cycle by at least 25%-40% from case to case basis
- Reducing ECOs time by 50%
- Reduce the design error by 70%
- Improved collaboration between shop floor and design team
- Better communication to customer with 3D layout thus increase the level of customer satisfaction
- Short learning curve and ease of use

Why IME

- The willingness of IME in providing professional knowledge and consultation to the management and staffs in sustaining greater growth together.
- Periodic seminars and workshops conducted by IME provide a platform for exchanging ideas and enhancing the design skills of our design team.

Challenge

- ✓ Clients require shorter design cycle.
- ✓ Unable to convey the design idea clearly to clients with current 2D drawings.
- ✓ More design errors in current design system as the design becomes more complex.
- ✓ Customer require value add service e.g. simple simulation on design parts
- ✓ Customers request 3D drawing for confirmation before actual production.

Solution

Yun Liu Metal & Industries Sdn Bhd has chosen SolidWorks design solution as their core tools for initiating design process.

“SolidWorks easily help us to transform from 2D to 3D without any headache.”

Jimmy Yap
Director
Yun Liu Metal Industries Sdn Bhd



Industry:
Sheet Metal Manufacturing
Previous CAD :
AutoCAD
Product(s) Used :
SolidWorks 2012

About IME Technology

IME Technology has set up and acts as a platform to provide most cost-effective, best-in-class engineering solution since 1980. We are expert in 3D design (CAD), machining (CAM) and simulation (CAE). With over 30 years' experience, we expand our engineering capabilities by providing value-added services to our customers. We provide consultancy services, technical support and skill training.



IME TECHNOLOGY SDN. BHD. (356192-T)
22A, Jalan PJS 1/46, Petaling Utama, 4
6150 Petaling Jaya, Selangor, Malaysia.

Tel : +603-7783 6866
Fax : +603-7783 4384

Technical Support:
swsupport@cadcam.com.my

www.imetech.com.my

Hotline: 1300-88-2797